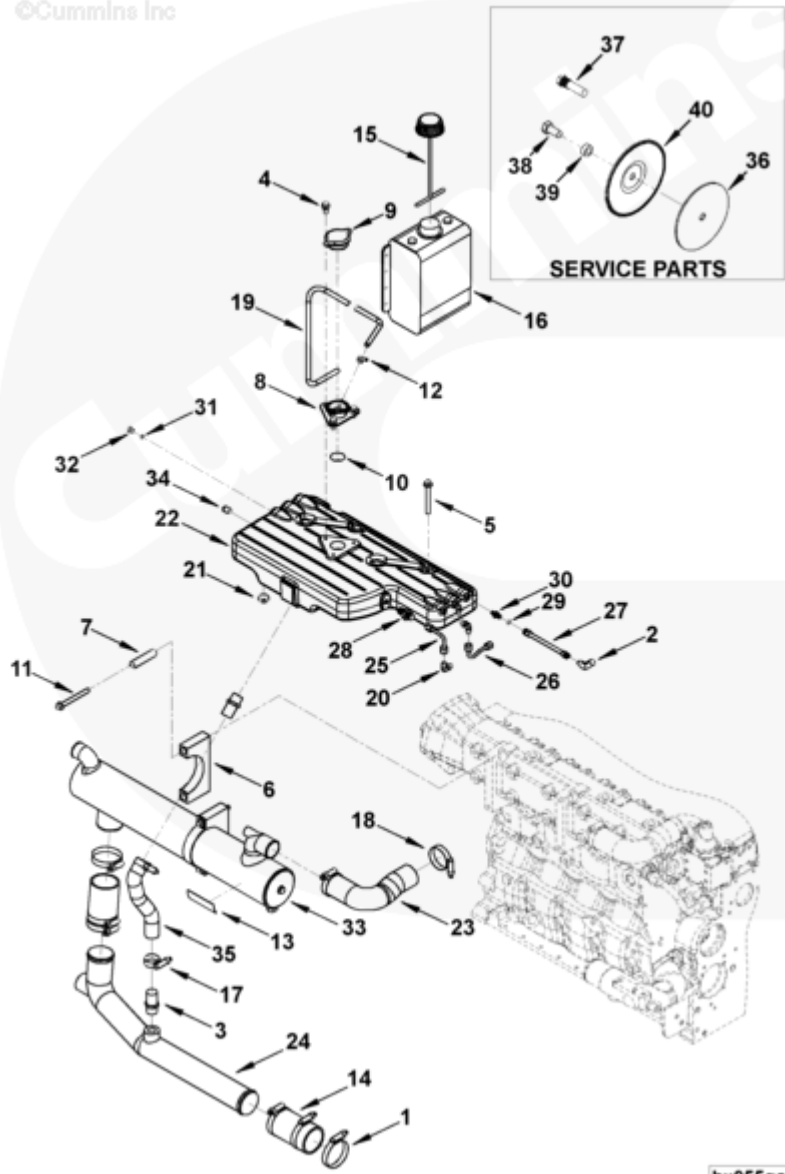




Parts Catalog - Option Detail

Electronic Parts Catalog - Option Detail				
Option	Group	Graphic	Film Card	Date
HX9121-06	08.10	hx955ga	T	15-FEB-05
Engines	4B3.9, 6A3.4, 6B5.9, B GAS INTERNATIONAL CM556, B4.5, B4.5 CM2350 B129B, B4.5 CM2350 B146C, B4.5 CM2350 B147B, B4.5 RGT, B4.5S, B5.9 G, B5.9 GAS PLUS CM556, B5.9 LPG, B5.9 LPG PLUS CM556, B6.7 CM2350 B121B, B6.7 CM2350 B135B, B6.7 CM2350 B136C, B6.7 CM2350 B148B, B6.7 G CMOH6.0 B125, B6.7N CM2380 B150B, B6.7S, F3.8 CM2350 F120B, F3.8 CM2350 F128C, F3.8 CM2350 F132B, F3.8 F102, G3.9, G5.9, G5.9 CM558, ISB (CHRYSLER), ISB CM2150, ISB CM2150 E, ISB CM550, ISB CM850, ISB/ISD4.5 CM2150 B119, ISB/ISD4.5 CM2150 SN, ISB/ISD6.7 CM2150 B120, ISB/ISD6.7 CM2150 SN, ISB/ISD6.7 CM2880 B126, ISB3.9 CM2220 B107, ISB4.5 CM2150, ISB5.9G CM2180, ISB6.7 2010 DCX PICKUP, ISB6.7 2013 DCX CHASSIS CAB, ISB6.7 CM2150 SQ, ISB6.7 CM2250, ISB6.7 CM2350 B101, ISB6.7 CM2350 B103, ISB6.7 CM2350 B142, ISB6.7 CM2670 B153B, ISB6.7 G CM2180 B118, ISBE CM2150, ISBE CM800, ISBE2/ISBE3 CM850, ISBE4 CM850, ISD4.5 CM2150, ISD6.7 CM2880 D101, ISF2.8 CM2220, ISF2.8 CM2220 AN, ISF2.8 CM2220 EC, ISF2.8 CM2220 ECF2, ISF2.8 CM2220 F101, ISF2.8 CM2220 F117, ISF2.8 CM2220 F122, ISF2.8 CM2220 F126, ISF2.8 CM2220 F129, ISF2.8 CM2220 IAN, ISF3.8 CM2220, ISF3.8 CM2220 AN, ISF3.8 CM2220 F103, ISF3.8 CM2220 F110, ISF3.8 CM2220 F116, ISF3.8 CM2220 F134B, ISF3.8 CM2220 IAN, ISF3.8 CM2350 F109, ISF4.5 CM2220 F123, ISG11 CM2880 G106, ISG11 CM2880 G108, ISG12 CM2880 G107, ISG12 CM2880 G109, ISG12 G CMOH6.0 G111, QSB3.9 30 CM550, QSB3.9 CM2880 B138, QSB4.5 30 CM550, QSB4.5 CM2150 B108, QSB4.5 CM2250 B131, QSB4.5 CM2250 EC, QSB4.5 CM2350 B106, QSB4.5 CM2350 B122			



hx955ga

SMALL | MEDIUM | LARGE

Cart	Ref No	Part Number	Part Description	Required	Remarks
View My Cart					
		HX9121-06	Heat Exchanger		Heat Exchanger...(More)
					Engine Family: "B" Series
					Engine Cylinders: 6
					Mounting Location: Exhaust
					Side, Horizontal
					Coolant Inlet Location:
					From Engine CL (mm): -284.4
					From Crank CL (mm): 467.2
					From FFOB (mm): -299.4

					Coolant Outlet Location:
					From Engine CL (mm): -288.9
					From Crank CL (mm): 311.7
					From FFOB (mm): -840.8
					Raw Water Outlet Location:
					From Engine CL (mm): -298.4
					From Crank CL (mm): 443.8
					From FFOB (mm): -944.7
					Expansion Tank Fill: 1.6" ID
					From Engine CL (mm): -202.4
					From Crank CL (mm): 544.2
					From FFOB (mm): -610.0
					Engine Water Inlet (mm): 90
					Deg. 1.75" OD
					Engine Water Outlet (mm):
					Straight 2.4: OD
					Raw Water Outlet (mm): 90
					Deg. 1.5" OD
<input type="checkbox"/>	1	3918521	Hose Clamp	7	59 - 83 mm
<input type="checkbox"/>	2	193599	Male Adapter Elbow	1	
<input type="checkbox"/>	3	215921	Plain Hose Coupling	2	3/4 NPTF X 1 in
<input type="checkbox"/>	4	3093931	Hexagon Flange Head Cap Screw	3	M10 X 1.50 X 20.
<input type="checkbox"/>	5	3282433	Hexagon Flange Head Cap Screw	4	M10 X 1.50 X 85.
<input type="checkbox"/>		3281793	Vibration Isolator	2	
	6	3281791	Vibration Isolator	1	
	7	3281792	Mounting Spacer	2	
<input type="checkbox"/>	8	3393131	Fill Connection	1	
<input type="checkbox"/>	9	3393978	Filler Cap	1	
<input type="checkbox"/>	10	3606661	O-Ring Seal	1	

<input type="checkbox"/>	11	3908226	Hexagon Flange Head Cap Screw	4	M10 X 1.50 X 95.
<input type="checkbox"/>	12	3910509	Hose Clamp	2	1/4 - 7/8 in
<input type="checkbox"/>	13	3910778	Information Decal	1	
<input type="checkbox"/>	14	63549 A	Plain Hose	2	
<input type="checkbox"/>		3922500	Coolant Recovery Reservoir	1	
<input type="checkbox"/>	15	3921339	Expansion Tank Cap	1	
	16	3921480	Coolant Recovery Reservoir	1	
<input type="checkbox"/>	17	3922844	Hose Clamp	2	
<input type="checkbox"/>	18	3922848	Hose Clamp	2	
<input type="checkbox"/>	19	3924493	Plain Hose	1	
<input type="checkbox"/>	20	3945212	Plain Union Elbow	2	M10 X 1.00 X 7/16 - 20.
<input type="checkbox"/>		3978469	Expansion Tank	1	
<input type="checkbox"/>	21	3813247	Expansion Plug	1	
<input type="checkbox"/>	22	3978470	Expansion Tank	1	
<input type="checkbox"/>	23	3968838	Elbow Hose	1	
<input type="checkbox"/>	24	3968839	Water Transfer Tube	1	
<input type="checkbox"/>	25	3972902	Vent Tube	1	
<input type="checkbox"/>	26	3972903	Vent Tube	1	
<input type="checkbox"/>	27	3972904	Flexible Hose	1	
<input type="checkbox"/>	28	3973023	Male Union	1	
<input type="checkbox"/>		3973024	Male Union	1	
<input type="checkbox"/>	29	3678925	O-Ring Seal	1	M10.
<input type="checkbox"/>	30	3973640	Male Union	1	
<input type="checkbox"/>		4002056	Threaded Plug	3	
<input type="checkbox"/>	31	3348319	O-Ring Seal	1	
<input type="checkbox"/>	32	3678924	Threaded Plug	1	M10 X 1.00 X 13.5
<input type="checkbox"/>	33	4020101	Heat Exchanger	1	
<input type="checkbox"/>	34	S 962 A	Pipe Plug	1	1/4 NPT.
<input type="checkbox"/>	35	3972527	Molded Hose	1	

<input type="checkbox"/>	36	3975189	Heat Exchanger Cover	2	
<input type="checkbox"/>	37	3970463	Zinc Electrode Plug	1	
<input type="checkbox"/>	38	3975185	Hexagon Head Cap Screw	2	
<input type="checkbox"/>	39	3975186	Sealing Washer	2	
<input type="checkbox"/>	40	3975187	Heat Exchanger Gasket	2	

© 2019 Cummins Inc., Box 3005, Columbus, IN 47202-3005 U.S.A.
Terms of Use and Disclaimers | Recommended System Requirements
Need Assistance? Please click on the Contact Us button in the top right corner of any page.